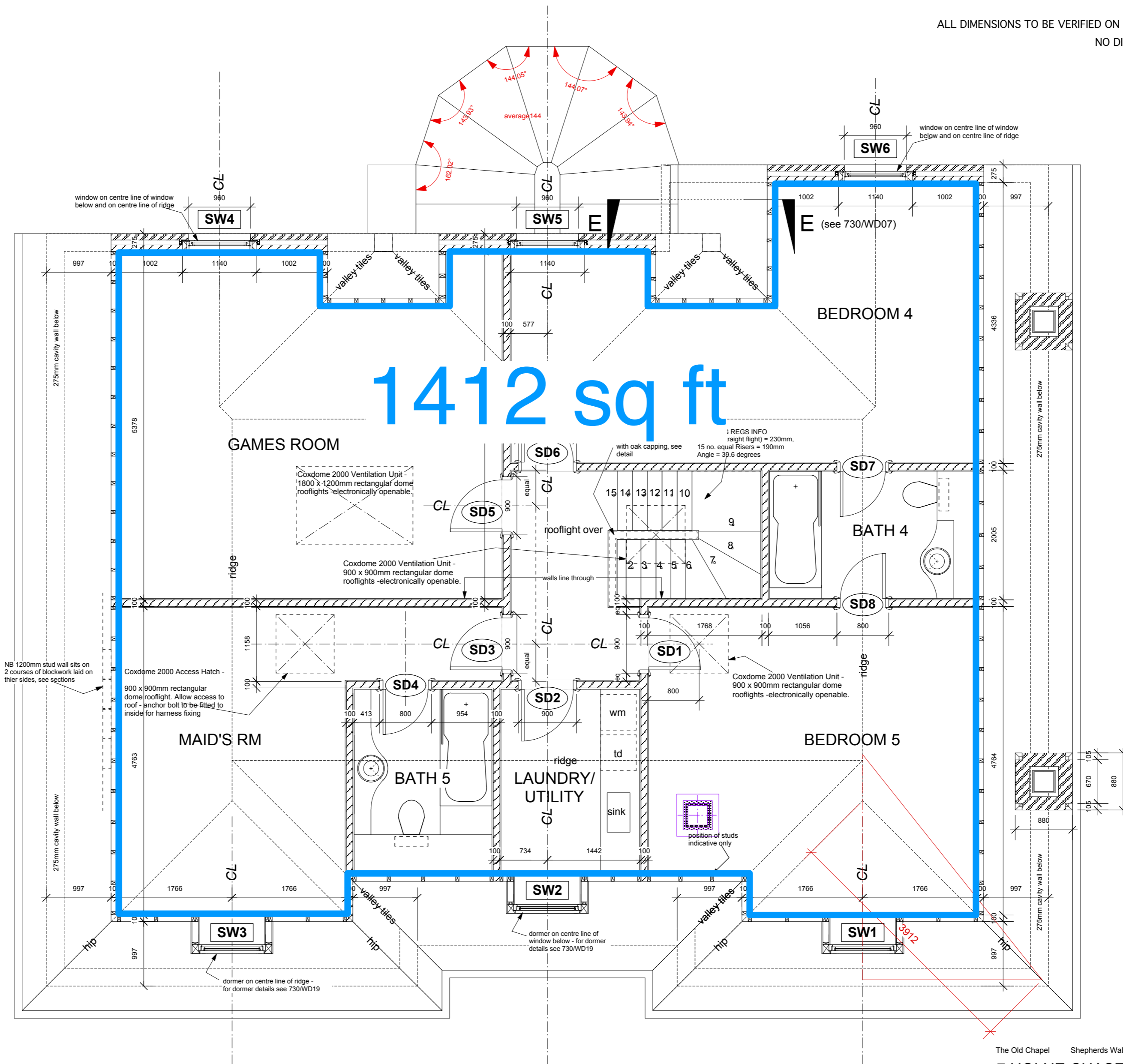
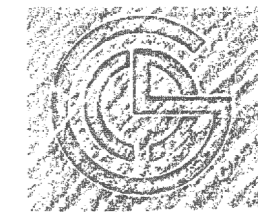




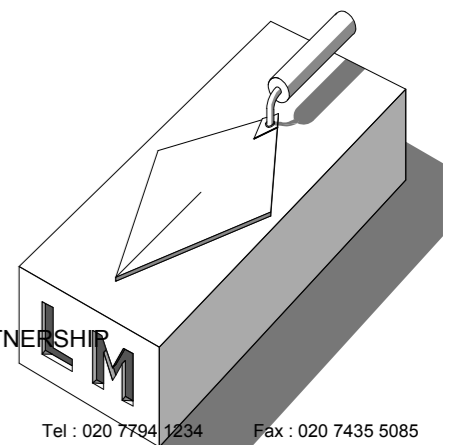
ALL DIMENSIONS TO BE VERIFIED ON SITE BEFORE COMMENCING ANY WORK OR MAKING SHOP DRAWINGS  
NO DIMENSIONS ARE TO BE SCALED FROM THIS DRAWING



SECOND FLOOR BLOCKWORK  
Inner skin of cavity wall = 100mm block  
All internal walls = 100mm block (except 1000mm high stud walls at perimeter)



THE CHARLTON BROWN PARTNERSHIP  
ARCHITECTS



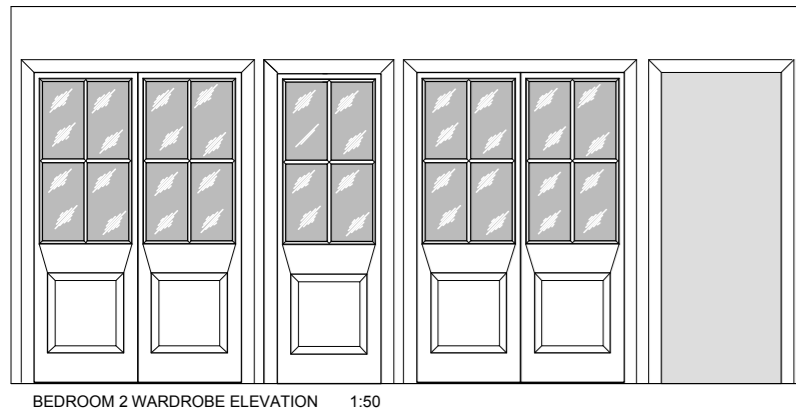
The Old Chapel Shepherds Walk Hampstead London NW3 5UE Tel : 020 7734 1234 Fax : 020 7435 5085

7 HOLNE CHASE, N2

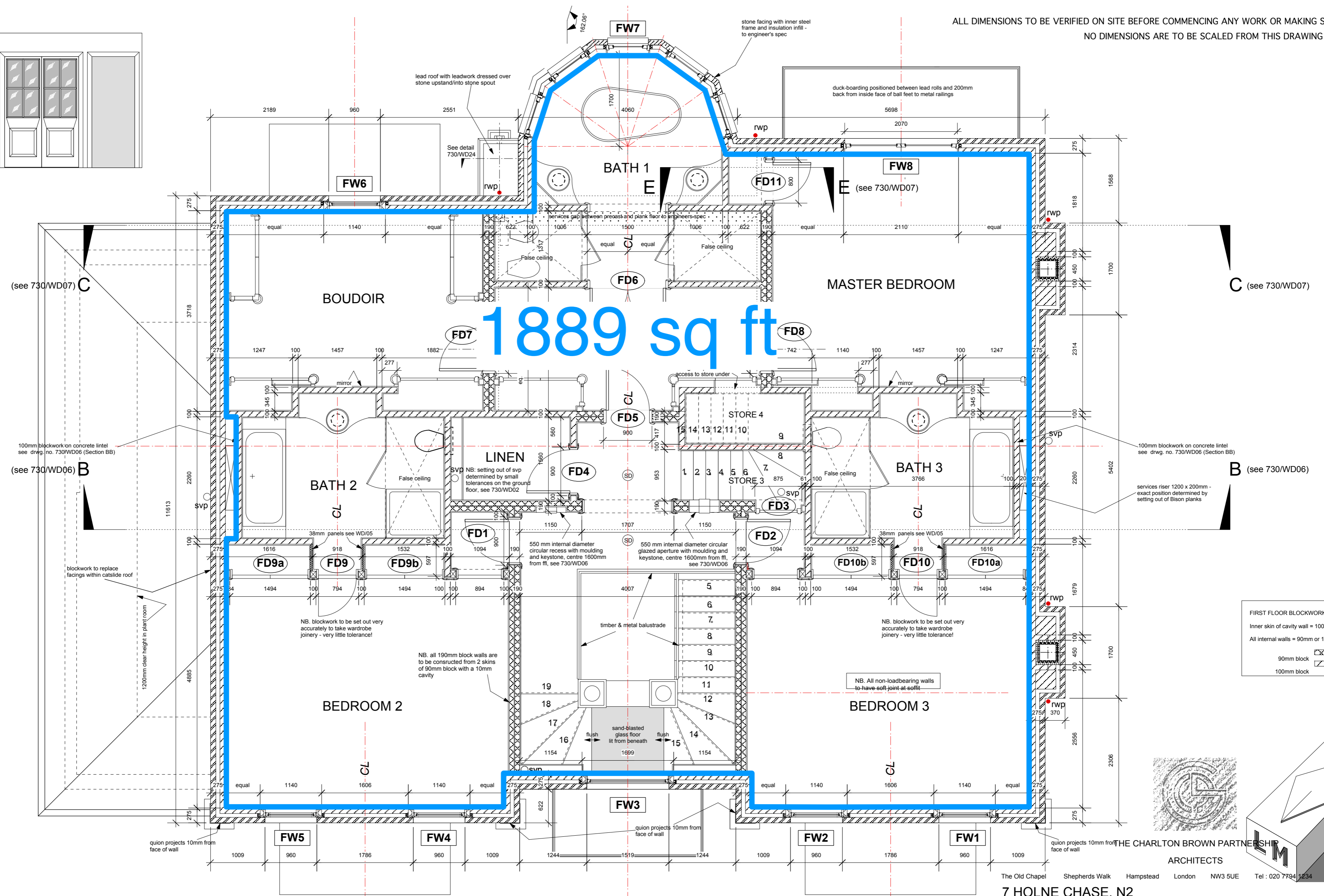
SECOND FLOOR PLAN

730/WD04

Date 19.02.01 Scale 1:50 This drawing is copyright Revisions



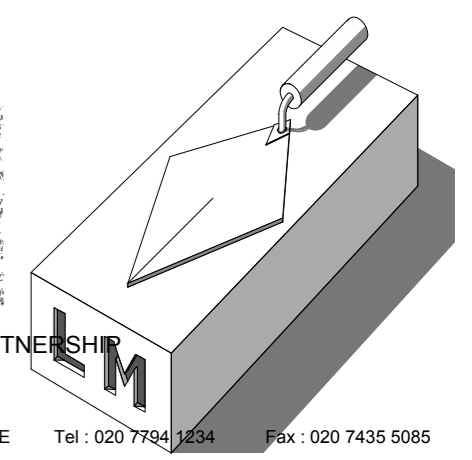
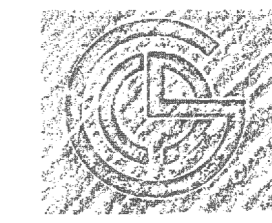
ALL DIMENSIONS TO BE VERIFIED ON SITE BEFORE COMMENCING ANY WORK OR MAKING SHOP DRAWINGS  
NO DIMENSIONS ARE TO BE SCALED FROM THIS DRAWING



1889 sq ft

**FIRST FLOOR BLOCKWORK**  
 Inner skin of cavity wall = 100mm block  
 All internal walls = 90mm or 100mm block

90mm block [hatched pattern]  
 100mm block [hatched pattern]



THE CHARLTON BROWN PARTNERSHIP  
 ARCHITECTS  
 The Old Chapel Shepherds Walk Hampstead London NW3 5UE Tel : 020 7734 1234 Fax : 020 7435 5085

7 HOLNE CHASE, N2  
**FIRST FLOOR PLAN**  
 Date 19.02.01 Scale 1:50 This drawing is copyright Revisions

730/WD03